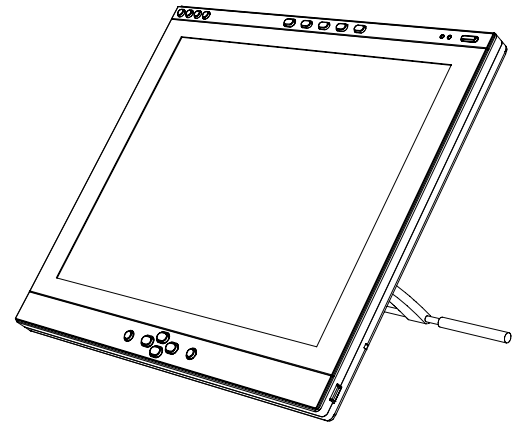


# Symposium™ Interactive Pen Display

## Specifications – Model ID370

### Physical Specifications

<b>Size</b>	15 3/4" W × 14 1/4" H × 2 1/4" D (40.0 cm × 36.2 cm × 5.7 cm)
<b>With Tilt Stand (lowest position)</b>	15 3/4" W × 5" H × 13 7/8" D (40.0 cm × 12.7 cm × 35.2 cm)
<b>With Tilt Stand (highest position)</b>	15 3/4" W × 13 3/4" H × 8 3/8" D (40.0 cm × 34.9 cm × 21.3 cm)
<b>Display Area</b>	13 3/8" W × 10 3/4" H (34.0 cm × 27.3 cm) 17" (43.2 cm) diagonal
<b>Weight (with stand)</b>	13 lb. 4 oz. (6.0 kg)
<b>Shipping Size</b>	20 1/4" W × 18 1/8" H × 9 1/4" D (51.4 cm × 46.0 cm × 23.5 cm)
<b>Shipping Weight</b>	18 lb. 12 oz. (8.5 kg)



All dimensions +/- 1/8" (0.3 cm). All weights +/- 2 lb. (0.9 kg).

### Console Features

<b>Software</b>	SMART Board™ software version 9.7 and Notebook™ software version 9.7. Software upgrades are available at <a href="http://www.smarttech.com/support/software/index.asp">www.smarttech.com/support/software/index.asp</a> .
<b>Tilt Stand</b>	You can adjust the console's tilt angle from a minimum position of 18° from vertical to a maximum position of 73° from vertical
<b>Mounting</b>	Standard VESA 75 mm rear mounting plate
<b>Cables</b>	HD15 video cable USB cable
<b>Power Supply</b>	Input: 100V–240V AC 50/60 Hz Output: 12V DC, 4.16A, 50 W maximum
<b>Power Management</b>	VESA DPMS
<b>Power Consumption</b>	Maximum 37 W
<b>Plug and Play</b>	DDC2B, EDID 1.3
<b>Certifications and Compliance</b>	FCC, CE, WEEE, RoHS (Europe), RoHS (China)
<b>Warranty</b>	Two-year limited warranty. See warranty document for details.

### Interactive Pen Display Features

<b>Screen</b>	a-Si TFT active-matrix LCD display
<b>Screen Type</b>	Electromagnetic resonance technology
<b>Communication Interface</b>	USB 2.0 (high speed)
<b>Resolution</b>	SXGA 1280 × 1024 pixels
<b>Synchronization Range</b>	Horizontal: 30 kHz–56.5 kHz Vertical: 50 Hz–75 Hz
	<b>NOTE:</b> Some Mac computers transmit video signals outside the 50 Hz–75 Hz synchronization range. These models cannot be used with the Symposium™ interactive pen display.

## Specifications – Model ID370

<b>Viewing Angle</b>	Horizontal 140° and vertical 130° (typical)
<b>Color Depth</b>	16.2 million
<b>Contrast Ratio</b>	500:1 (typical)
<b>Brightness</b>	Luminance of 300 cd/m <sup>2</sup> (typical)
<b>Input Video Signal</b>	Analog 0.7 Vp-p positive at 75 ohm
<b>Auto Adjustment</b>	Less than 2 seconds
<b>Display Response Time</b>	8 milliseconds (typical)
<b>On-Screen Display Control</b>	Brightness, Contrast, Horizontal Position, Vertical Position, Phase, Language, Reset, Color Setting, Color Adjustment (for Red, Green and Blue)

---

### Tablet Features

<b>Pen Tool Buttons</b>	Control the pen behavior: Left Mouse, Digital Ink (Black, Blue and Red) and Eraser
<b>Function Buttons</b>	Access tools and applications: Floating Tools, Notebook Software, Screen Capture, Right Mouse Click and Keyboard
<b>Technology</b>	Electromagnetic resonance technology with USB interface
<b>Pen</b>	Battery-free, tethered pen with convenient storage location for easy access
<b>Pen Report Rate</b>	100 points per second
<b>Power Indicator</b>	Blue light turns on when video signal is present; orange light turns on when video signal isn't present; blue and orange lights blink while power management is active
<b>Status Indicator</b>	Blue status light turns on when tip switch is pressed
<b>Input/Output Interface</b>	Video IN        HD15 (F) Video OUT      HD15 (F) USB             USB (B) (×1) USB 2.0 receptacle to connect the ID370 to your computer USB             USB (A) (×2) integrated USB 2.0 hub to connect a mouse, keyboard or memory storage device  <b>NOTE:</b> You must connect the interactive pen display to your computer using a USB connection.
<b>Security</b>	Kensington® security slot

---

### Storage and Operating Specifications

<b>Storage</b>	14°F to 140°F (-10°C to 60°C) with 20 to 90% humidity, non-condensing
<b>Operation</b>	41°F to 95°F (5°C to 35°C) with 20 to 80% humidity, non-condensing

---

### SMART Board Software 9.7 Computer Requirements

<b>Windows Computers</b>	Pentium® II 450 MHz processor 128 MB of RAM (256 MB recommended) 150 MB of free hard disk space for minimum installation (840 MB for full installation with Gallery collections) Windows 2000, Windows XP or Windows Vista™ operating system Internet Explorer® internet browser 6.0 or later Adobe® Flash® player version 8
<b>Requirements for SMART Video Player</b>	Pentium II 450 MHz processor (700 MHz or faster recommended) Windows 2000 operating system or later Microsoft® DirectX® technology 8.1 or later

## Specifications – Model ID370

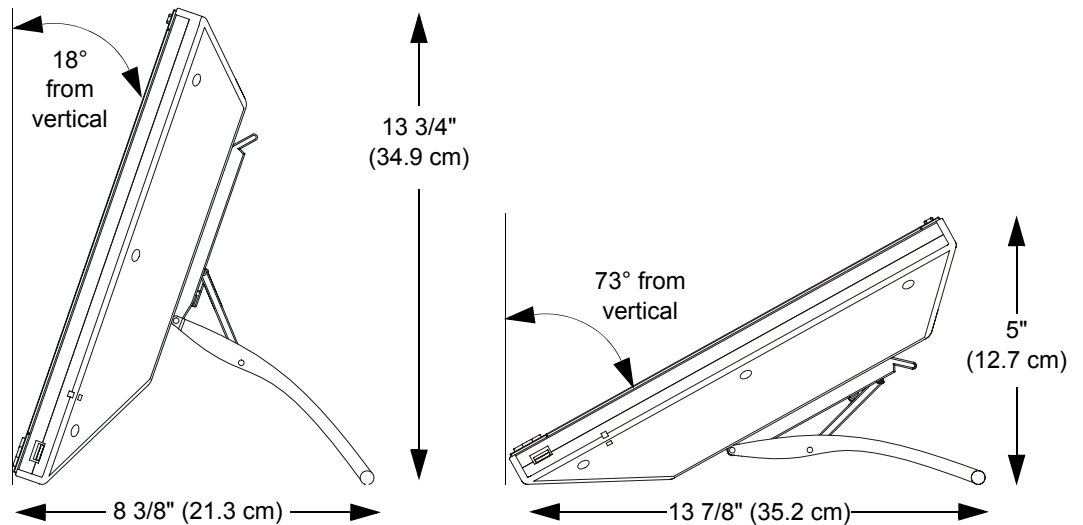
### Mac Computers

700 MHz processor (1 GHz or faster recommended)  
128 MB of RAM (256 MB recommended)  
75 MB of free hard disk space for minimum installation (930 MB for full installation with Gallery collections)  
Mac OS X version 10.4.x operating system software  
Safari application program version 1.3.2 or later  
SMART Board software version 9.7 supports both PowerPC® and Intel® processors (universal binary)

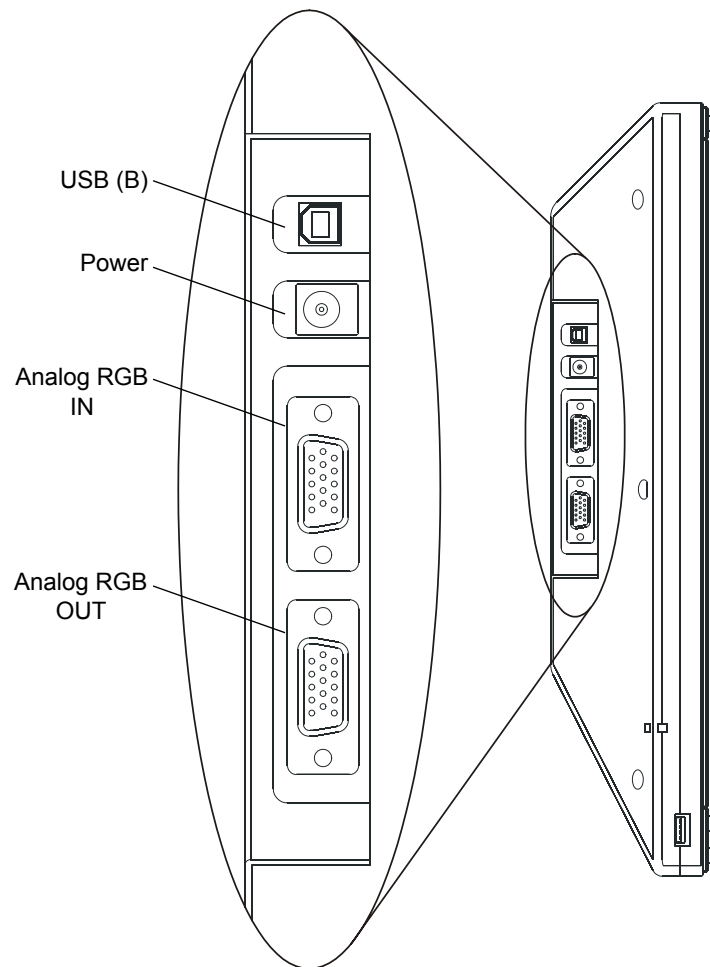
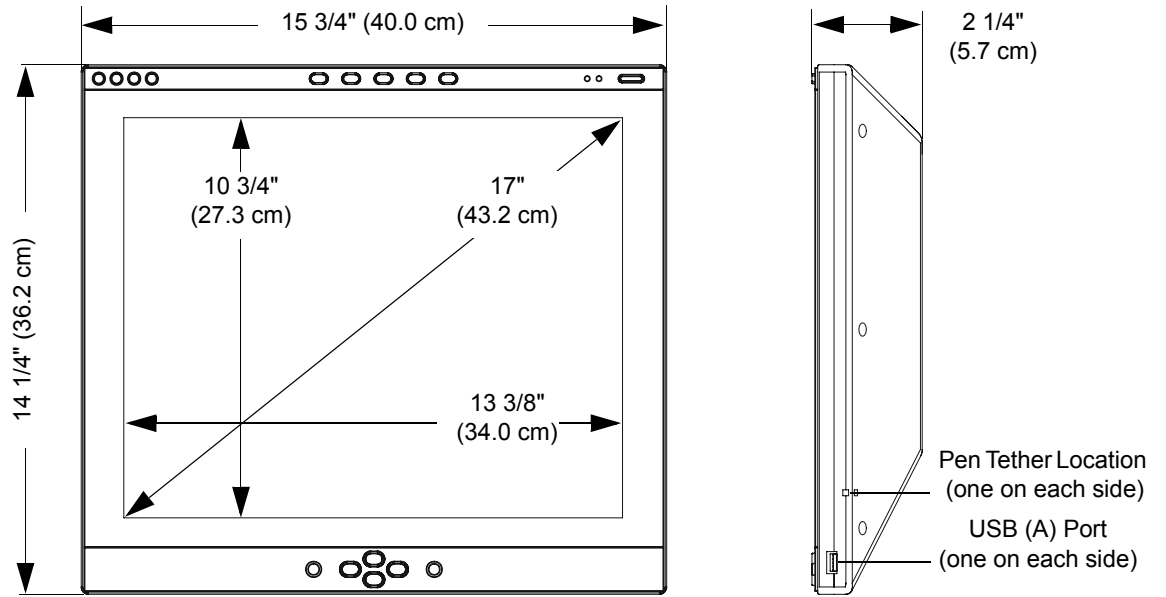
### Linux® Computers

Pentium II 450 MHz processor  
128 MB of RAM (256 MB recommended)  
225 MB of free hard disk space for minimum installation (800 MB for full installation with Gallery collections)  
Linux kernel version 2.6 or later (2.6.11 or later for the Sympodium DT770 interactive pen display)  
X Window System™ version 11 release 6 (X11R6) or later (must support XRender, Xinerama™, XFixes, Xau and Xdmcp)  
glibc 2.3.3 (gcc 3.4.2)  
libstdc++6  
GNOME™ 2.8.0+ or KDE® 3.3+ libraries (recommended)  
SUSE™ 10, Red Hat® Enterprise Linux 4 WS, Debian® 3.1 (Sarge), Ubuntu® 6.06 LTS or Fedora™ Core 3+

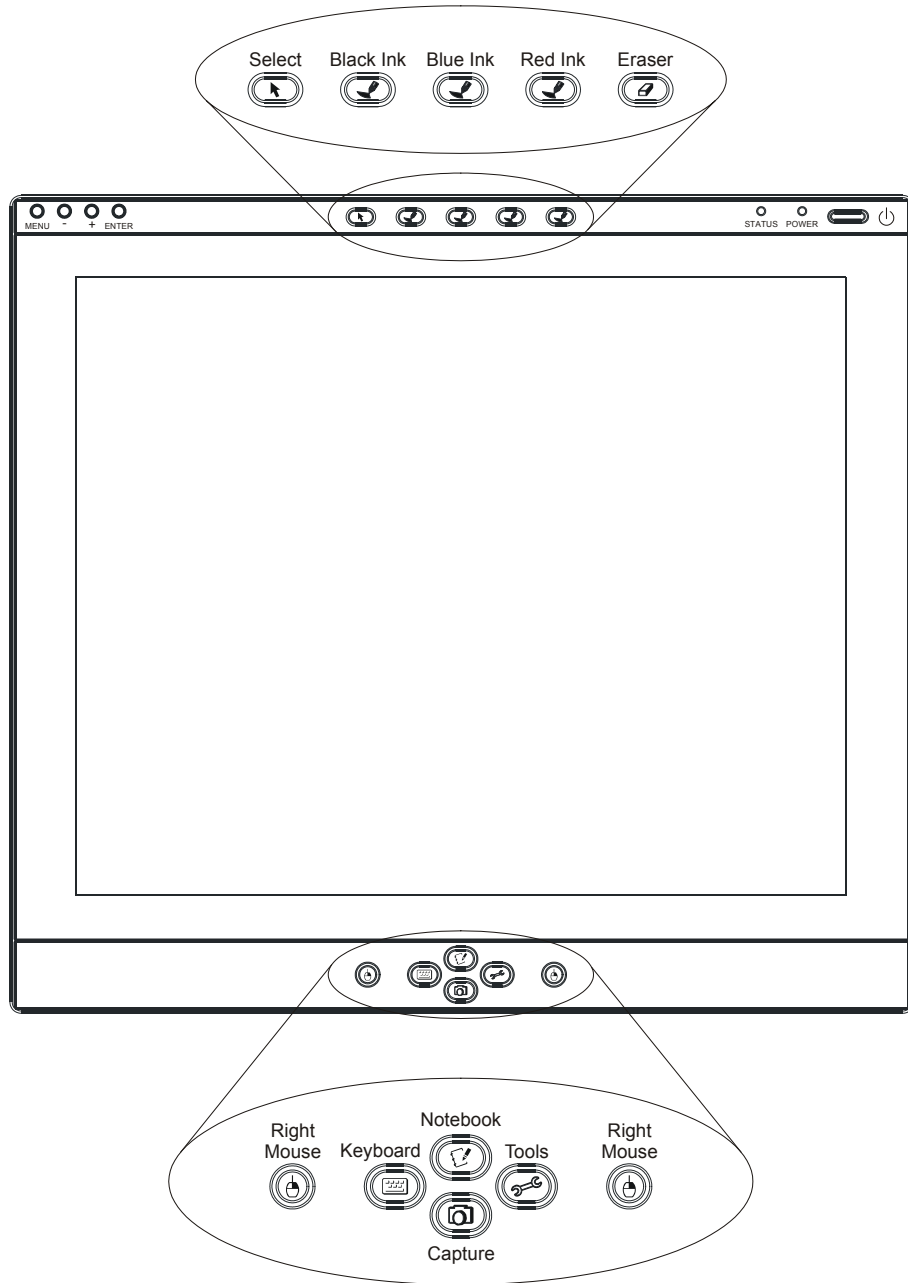
## Physical Dimensions



# Specifications – Model ID370



## Specifications – Model ID370



### Optional Accessories

**USB-GW** GoWire™ SMART Board software auto-launch USB cable

### SMART Order Number

**SSID370** Sympodium ID370 interactive pen display

**SMART Technologies**  
1207 – 11 Avenue SW, Suite 300  
Calgary, AB T3C 0M5  
CANADA

**SMART**  
Technologies

[www.smarttech.com/support](http://www.smarttech.com/support) [www.smarttech.com/contactsupport](http://www.smarttech.com/contactsupport)  
Support +1.403.228.5940 or Toll Free 1.866.518.6791 (Canada/U.S.)

© 2007 SMART Technologies ULC. All rights reserved. Sympodium, GoWire, SMART Board, Notebook, smarttech and the SMART logo are registered trademarks or trademarks of SMART Technologies ULC in the U.S. and/or other countries. Windows is either a registered trademark or a trademark of Microsoft Corporation in the U.S. and/or other countries. All other third-party product and company names may be trademarks of their respective owners. U.S. Patent Nos. 5,448,263; 6,141,000; 6,326,954; 6,337,681; 6,741,267; 6,747,636 and 7,151,533. Canadian Patent No. 2,058,219. U.S., Canadian and other patents pending. Specifications are subject to change without notice. 10/2007.