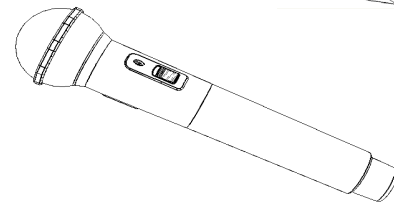
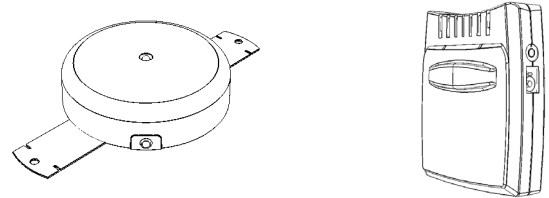
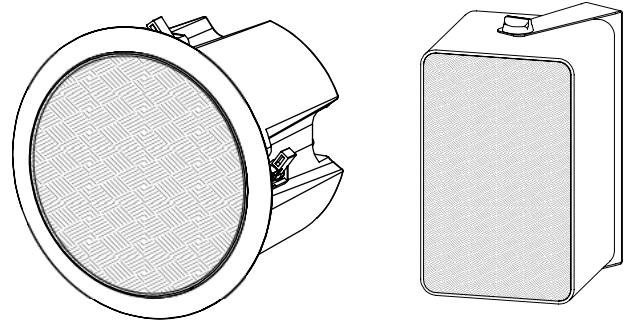
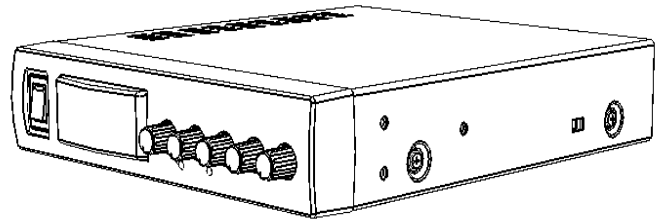


# SMART Audio

## Specifications – Model CAS-240-C and CAS-240-W

### Physical Specifications

<b>Receiver Size</b>	8" W × 9 3/16" D × 1 11/16" H (20.3 cm × 23.4 cm × 4.3 cm)
<b>Receiver Weight</b>	2.9 lb. (1.3 kg)
<b>Handheld Student Microphone Size</b>	9 11/16" W (24.6 cm)
<b>Handheld Student Microphone Weight</b>	10.9 oz (309 g)
<b>Teacher Microphone Size</b>	2 3/4" W × 1 1/8" D × 3 3/16" H (7 cm × 2.8 cm × 8.1 cm)
<b>Teacher Microphone Weight</b>	2.5 oz (70 g)
<b>Infrared Ceiling Sensor Size</b>	ø 4" × 1 1/8" H (10.2 cm × 2.9 cm)
<b>Infrared Ceiling Sensor Weight</b>	6.2 oz (176 g)
<b>Ceiling Speaker Size</b>	ø 9" × 6" H (22.9 cm × 15.2 cm)
<b>Ceiling Speaker Weight</b>	3.9 lb. (1.8 kg)
<b>Wall Speaker Size</b>	4 11/16" W × 7 3/8" H × 4 1/2" D (11.9 cm × 18.7 cm × 11.4 cm)
<b>Wall Speaker Weight</b>	2.5 lb. (1.2 kg)
<b>Shipping Size and Weight</b>	
SMART Audio 240 with Ceiling Speakers	<b>Size:</b> 22 3/4" W × 14 5/8" H × 20 1/2" D (58.0 cm × 37.0 cm × 52.0 cm) <b>Weight:</b> 28.9 lb. (12.7 Kg)
SMART Audio 240 with Wall Speakers	<b>Size:</b> 12" W × 15 1/4" H × 13 1/4" D (30.5 cm × 38.5 cm × 33.8 cm) <b>Weight:</b> 20.7 lb. (9.4 Kg)



All dimensions +/- 1/16" (0.15 cm). All weights +/- 2 lb. (0.9 kg).

### Receiver Features

<b>Receiver Type</b>	Super heterodyne, crystal controlled
<b>Sub Carrier Frequencies</b>	2.06 MHz and 2.56 MHz (switchable)
<b>Modulation</b>	FM
<b>Signal to Noise</b>	>75 dB A weighted
<b>Reception Sensitivity</b>	>25 dBµV
<b>Line Input Impedance</b>	32k Ohms ±15
<b>Line Output Adjustment</b>	0 ~ +10 dBu
<b>Audio Output</b>	5 W × 4 at 4 ohms
<b>Power Requirement</b>	15V DC at 2.7A

---

### Teacher Microphone Features

<b>Microphone Element Type</b>	Uni-directional electret (×2)
<b>Sub Carrier Frequencies</b>	2.06 MHz and 2.56 MHz (switchable)
<b>Frequency Response</b>	50 Hz – 9 kHz ± 3 dB
<b>Battery Type</b>	Includes 2 AA NiMH rechargeable batteries
<b>Battery Life</b>	Approximately 8 hours
<b>External Mic Input Impedance</b>	2.2k ohms
<b>External Microphone Input Jack</b>	∅ 3.5 mm
<b>External Microphone Voltage/Current</b>	3.5V DC at 1mA

---

### Student Microphone Features

<b>Microphone Element Type</b>	Uni-directional dynamic
<b>Sub Carrier Frequencies</b>	2.06 MHz and 2.56 MHz (switchable)
<b>Frequency Response</b>	50 Hz – 8 kHz ± 3dB
<b>Battery Type</b>	Includes 2 AA NiMH rechargeable batteries
<b>Battery Life</b>	Approximately 6 hours

---

### Infrared Ceiling Sensor

<b>Output</b>	F-type Connector
<b>Power</b>	24V at 15mA (powered by receiver)
<b>Cable Requirement</b>	RG-6–75 ohms coaxial

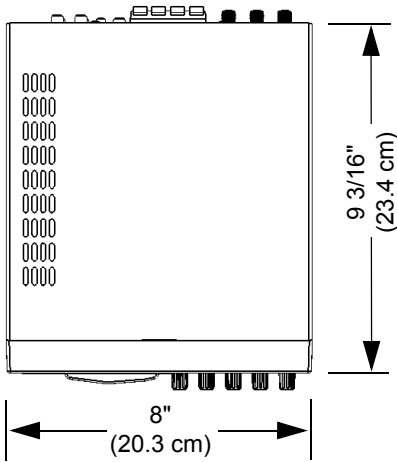
---

### SMART Order Numbers

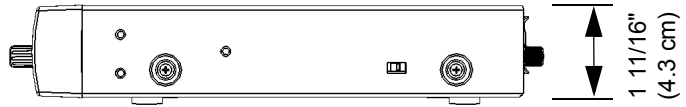
<b>CAS-240-C</b>	SMART Audio 240 system with ceiling speakers
<b>CAS-240-W</b>	SMART Audio 240 system with wall speakers
<b>51-00722-20</b>	Optional ceiling tile reinforcement plate
<b>03-00120-20</b>	Additional ceiling-mounted infrared sensors
<b>01-00255</b>	Four replacement NiMH AA rechargeable batteries

**Dimensions**

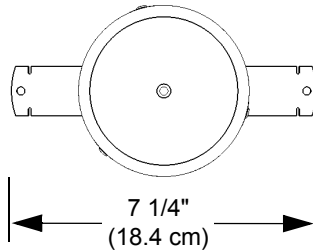
**Receiver Top View**



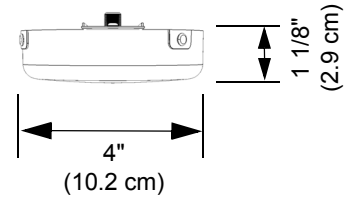
**Receiver Side View**



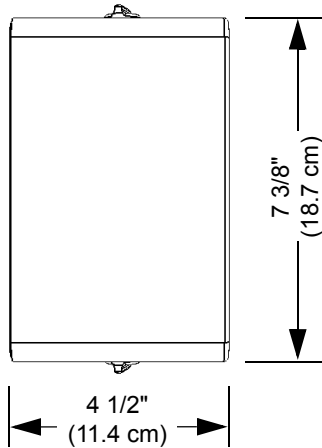
**Infrared Ceiling Sensor Top View**



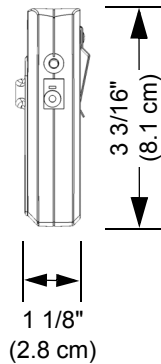
**Infrared Ceiling Sensor Side View**



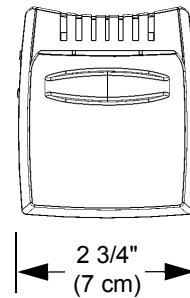
**Wall Speaker Side View**



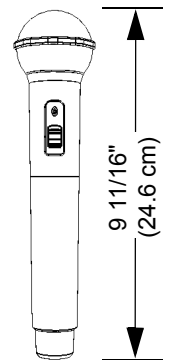
**Teacher Microphone Side View**



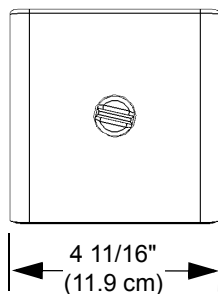
**Teacher Microphone Front View**



**Handheld Student Microphone**



**Wall Speaker Top View**



**Ceiling Speaker Side View**

